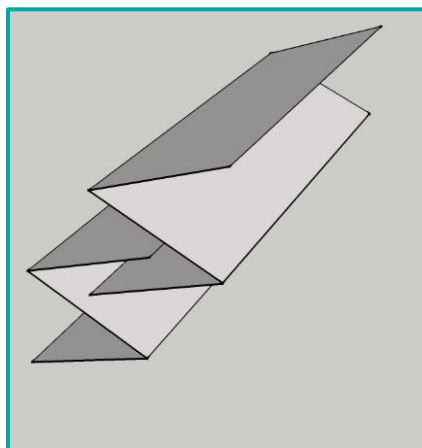
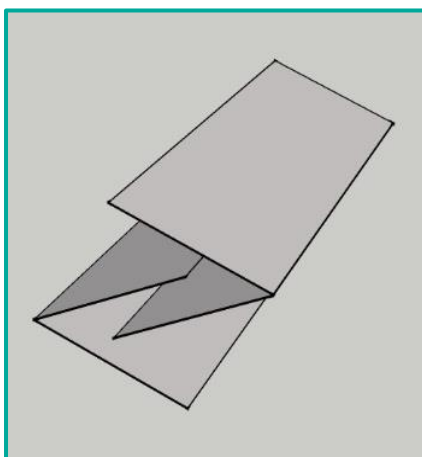


Handtowels Information Sheet



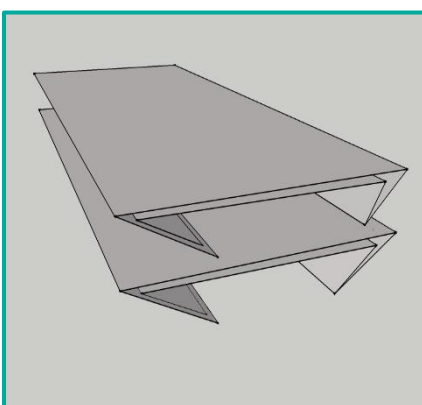
Z-fold (or M-fold)
 Dispenses fully open
 Reduces wastage of sheets
 One-at-a-time dispensing

| <u>Description</u> | <u>Pack</u> | <u>Footprint</u> |
|--------------------|---------------|------------------|
| A2111- 2ply white | 3000 (14x214) | 80x214mm |
| A2100- 1ply blue | 3000 (14x214) | 80x209mm |



Interfold (or V-fold)
 Dispenses fully open.
 Reduces wastage of sheets.
 One at a time dispensing

| <u>Description</u> | <u>Pack</u> | <u>Footprint</u> |
|--------------------|---------------|------------------|
| A2211-1 2ply white | 3200 (15x214) | 108x242mm |
| A2200- 1ply blue | 3600 (12x300) | 105x250mm |



C-fold
 Can dispense in handfuls.
 Traditionally dispenses folded up.

| <u>Description</u> | <u>Pack</u> | <u>Footprint</u> |
|--------------------|---------------|------------------|
| A2010 - 2ply white | 2430 (15x162) | 9x23cm |
| A2000 - 1ply blue | 2640 (15x176) | 9x23cm |

t: 01243 771340 e: sales@foremost-uk.com

w: www.foremost-uk.com

